

Instruction for Use

Image 1

Contained disc herniation causing pain and pressure on the nerve root.



Image 2

Decompression:
A patented RF device is inserted through the needle, into the disc, removing excess tissue.

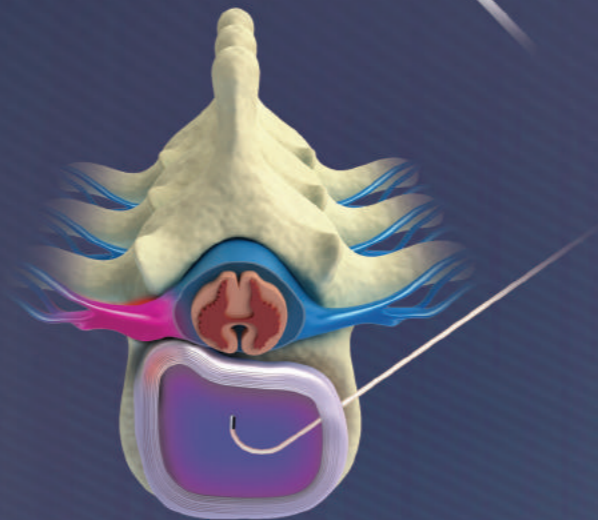


Image 3

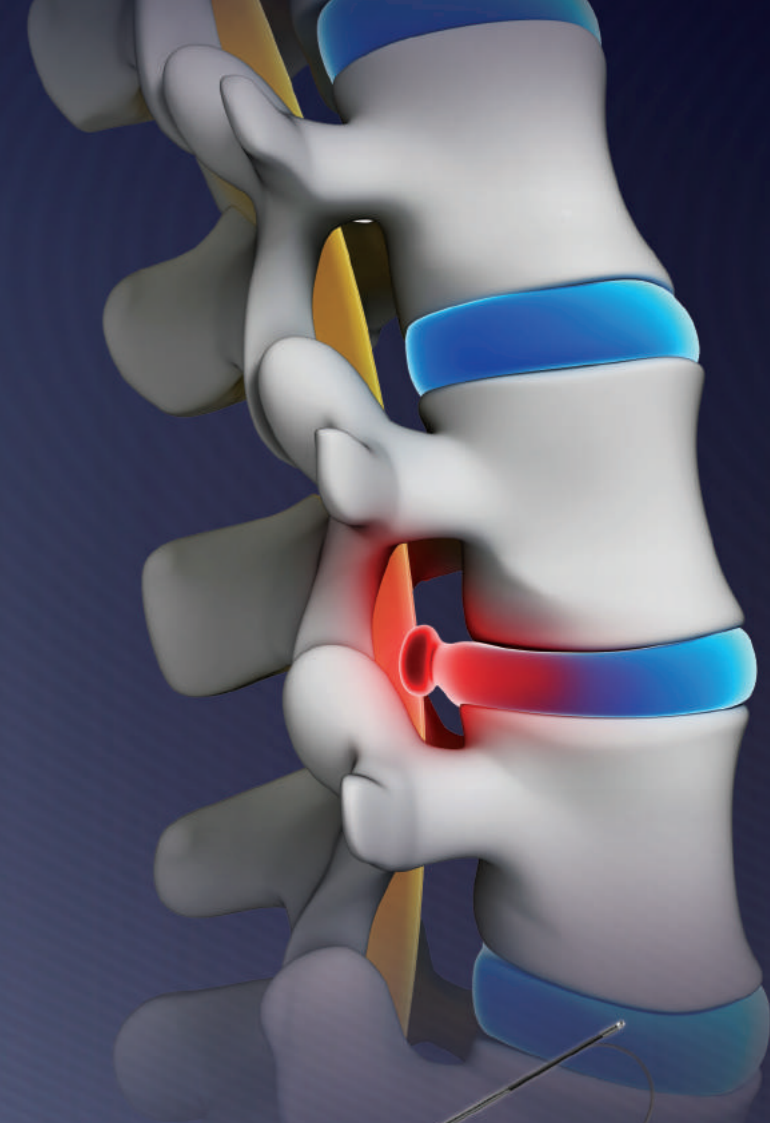
The disc is depressurized or removed and the protruding part enters.



ALTA

RF Disc Decompression

- Minimally invasive
- RF Ablation
- Rapid recovery



Woosung Medi-Filtech

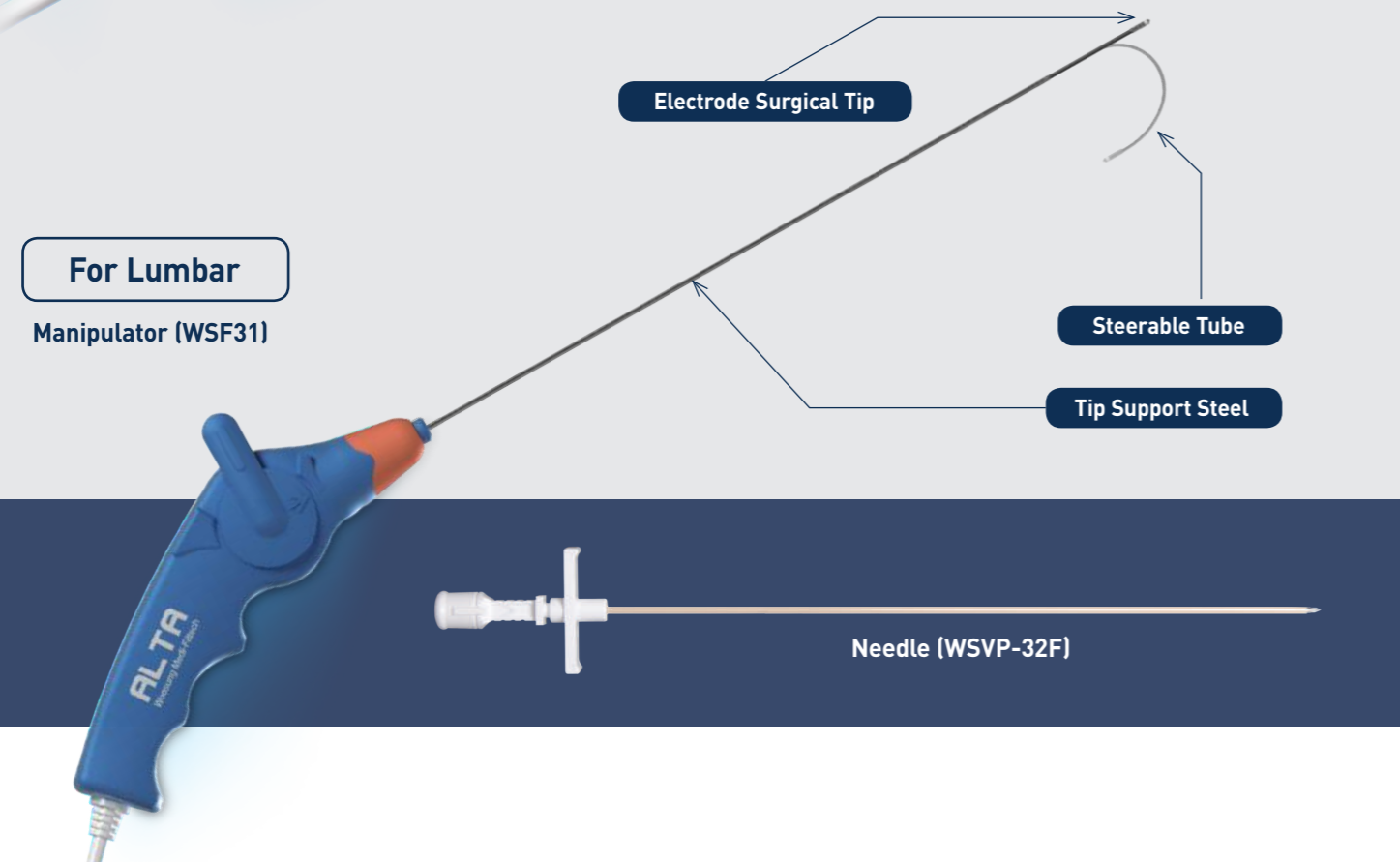
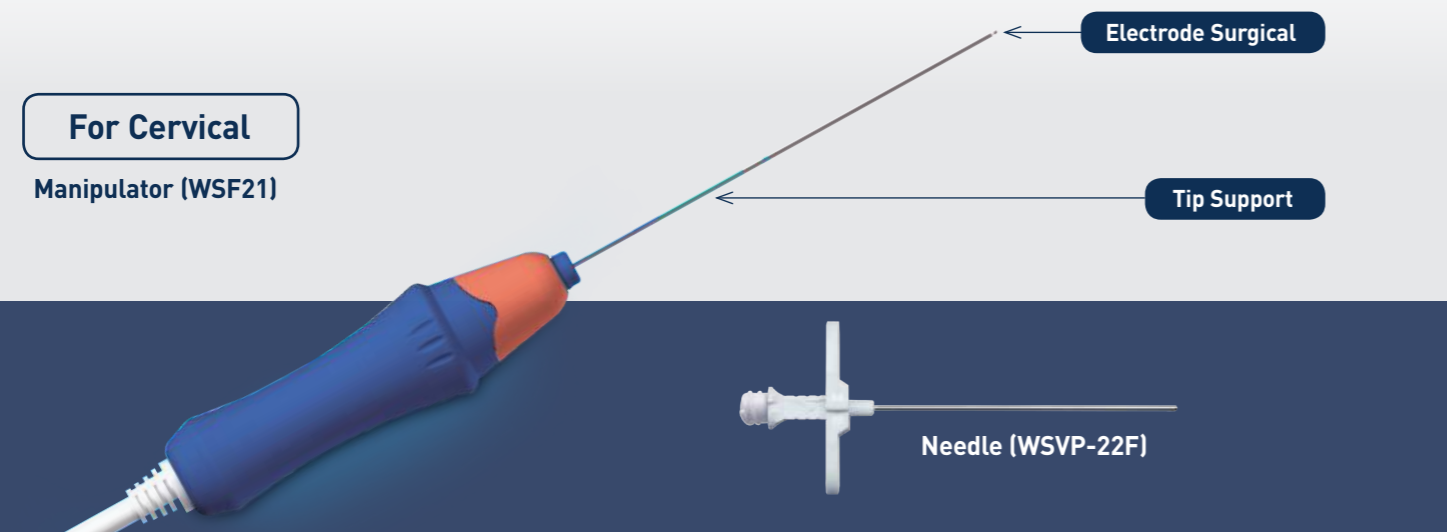
#314, 3rd fl., 249, Oksan-ro, Wonmi-gu,
Bucheon-si, Gyeonggi-do, 14579 Rep. of KOREA
Phone: +82.32.675.7071



Woosung Medi-Filtech

RF Disc Decompression

ALTA is a device for ablating, coagulating and decompressing disc materials to treat patients with symptoms of herniated discs. This is minimally invasive device for percutaneous disc decompression using radiofrequency energy.



Indications

- Discogenic Pain
- Chronic Back Pain
- Herniated Nucleus Pulposus

Contraindication

- Infection
- Pregnancy
- Metal illness

Advantages

- Low risk therapy
- Minimally invasive
- No general anesthetic
- High success rates
- No scar formation
- No open surgery
- No long hospitalization
- Quick recovery

Ordering Information

No.	Article Name	Component Article Name	Device Name	Q'ty(ea)
1	WSF21VP22F	WSF21	Intradiscal Catheter	1
		WSVP-22F	Introducer/Needle	1
2	WSF31VP32F	WSF31	Intradiscal Catheter	1
		WSVP-32F	Introducer/Needle	1